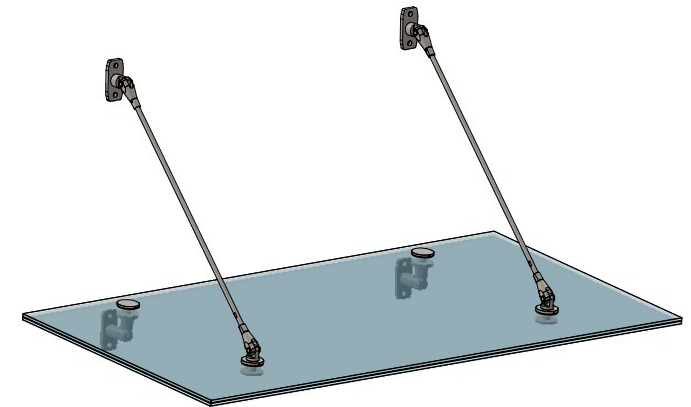


A	Lasin leveys	B	Lasihelat*	C	D
2 x 8 / 2 x 10	1600 / 2400	800	4 / 6	680	825
2 x 8 / 2 x 10	1600 / 2400	900	4 / 6	550	825
2 x 8 / 2 x 10	1600 / 2400	1000	4 / 6	770	1005
2 x 8 / 2 x 10	1600 / 2400	1100	4 / 6	640	1005
2 x 10 / 2 x 12	1800 / 2700	1200	4 / 6	950	1180
2 x 10 / 2 x 12	1800 / 2700	1300	4 / 6	830	1180
2 x 10 / 2 x 12	2000 / 3300	1400	4 / 6	1300	1555
2 x 10 / 2 x 12	2000 / 3300	1500	4 / 6	1200	1555
2 x 10 / 2 x 12	2000 / 3300	1600	4 / 6	1090	1555
2 x 10 / 2 x 12	2000 / 3300	1700	4 / 6	1660	2040
2 x 10 / 2 x 12	2000 / 3300	1800	4 / 6	1560	2040
2 x 10 / 2 x 12	2000 / 3300	1900	4 / 6	1460	2040
2 x 10 / 2 x 12	2000 / 3300	2000	4 / 6	1340	2040

* - Lasin leveys: 1600 - 2000mm min. 4 lasihelat
2400 - 3300mm min. 6 lasihelat



4 lasihelat

All dimensions are in mm.
Unspecified tolerances ISO 2768-m.
This document is a property of Skanfix OÜ.



Part name

Varikatto standard järjestelmä

Part no.	VK	Revision	1
Material	n/a	Weight	n/a g
Scale 1:7.5		Size A4	
Sheet 1 of 1			